

# 50mm PVC VENETIAN BLIND INSTALLATION INSTRUCTIONS



IN ALL **some** STORES

## CHECKLIST You will need the following:

Drill (with 5.5mm drill bit)  
Measuring tape

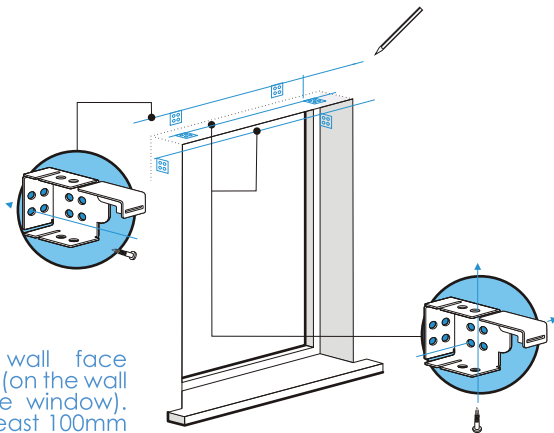
Screwdriver  
Pencil

Ruler  
Step Ladder

## Hanging your blind

Using the universal brackets supplied, you can install your blind in one of two mounting positions:

- (A) Wall face mount (on the wall above the window) use rear holes
- (B) Window recess or ceiling mount use side or top holes.



(A) For wall face mounting (on the wall above the window). Allow at least 100mm above window to ensure plaster will not chip off.

(B) For mounting inside the window recess or on the ceiling. Allow at least 60mm clearance of burglar bars and handles.

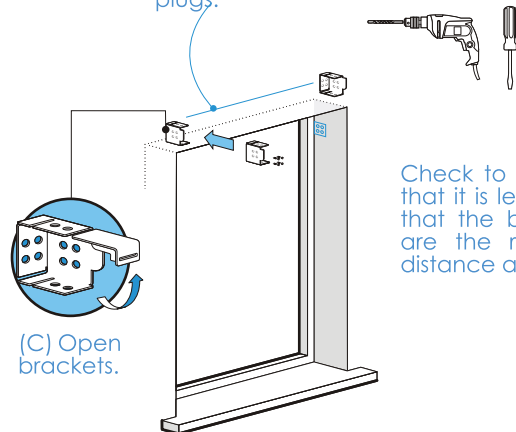
### 1 Position the blind

Hold the blind in place, where you are going to install it, making sure that it is centred and level. When positioned properly, make a small pencil mark on the wall/surface at each end of the blind headrail to refer to when you attach the mounting brackets.

### 2 Drill holes and attach brackets.

Drill holes using 5.5mm drill bit and insert wallplugs provided into holes. Place open bracket (C) over holes and screw the screws provided into the wall plugs.

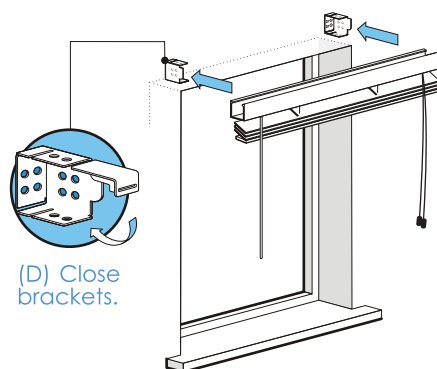
Drill holes using a 5.5mm drill bit and insert wall plugs.



Check to be sure that it is level and that the brackets are the required distance apart.

### 3 Hang the blind

Lift the blind and slide the headrail into the brackets. Make sure that the blind cord and tilting-wand face towards you. Close the brackets when the blind head rail is securely in the brackets (D).



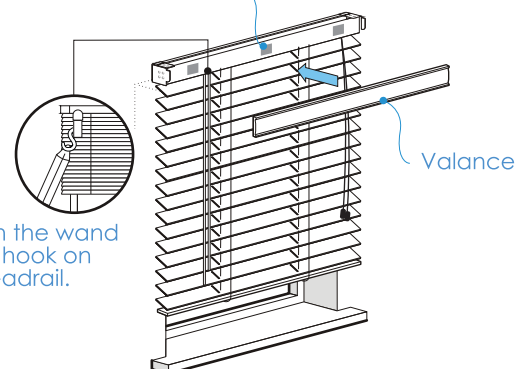
(D) Close brackets.

### 4 Attach additional items

Attach the valance to the headrail using the self adhesive double sided tape.

Peel off the backing layer of the self adhesive double sided tape on the headrail. Align the valance and headrail and firmly press the valance against the headrail, so that they are attached.

Self adhesive double sided tape

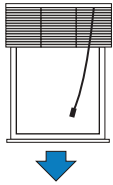


Attach the wand to the hook on the headrail.

Valance

# 50mm PVC VENETIAN BLIND INSTALLATION INSTRUCTIONS

## Operating your blind

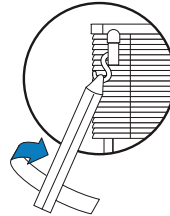


**To lower the blind** pull the cords to the centre of the blind to release the cord-lock and hold while the blind drops. Allow the blind to drop to the desired height and then slowly release the cords to their original position to lock it in place.



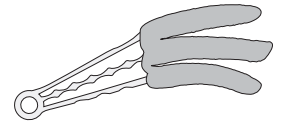
**To raise the blind** pull the cords to the centre of the blind to release the cord-lock and pull up the blind to the desired height. Slowly release the cords to their original position to lock it into place.

Ensure that slats are in the horizontal position before raising your blind.



**To attain desired slat position** rotate the tilting wand to tilt slats to angle desired.

## Cleaning your blind



**Clean with Decorland's Microfibre Blind Cleaner** (sold separately). Alternatively, wipe with a slightly damp cloth.

## WARNING: Strangulation Hazard

**Never put a crib or child's bed near a window.** Even if you have child's guards on the windows, the temptation to investigate cords from a hanging window covering is strong for a child.

**Because young children climb, never put furniture near a window with a dangling cord.** Children climb on furniture, play with cords or chains and can become entangled.

To secure cords out of reach of children, use one of the suggested methods:  
A. Tie cord to itself.  
B. Use a cleat on wall or window frame.  
C. Use a clamp or clothes peg.



A



B



C